

LiquiDrainer®

Automatic, quick and profitable emptying of filled liquid containers.



Mobile use	Its low weight and small footprint allow application at different locations.
Flexible use	An adjustable bottom inside the machine permits the emptying of different materials.
Easy cleaning	Due to its folding funnel the machine can be cleaned fast and comfortably.
Savings in labour costs	Packaging does not need to be removed beforehand.

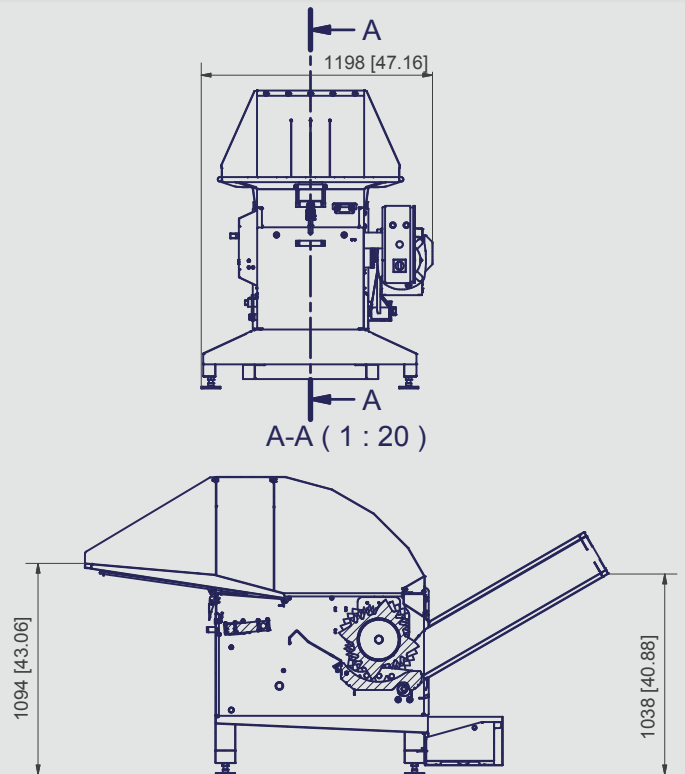
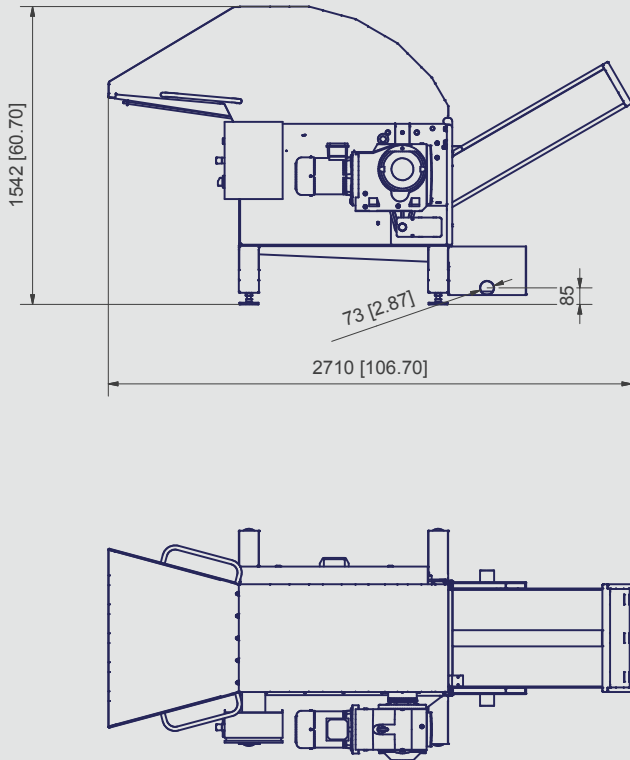


Beverage cans

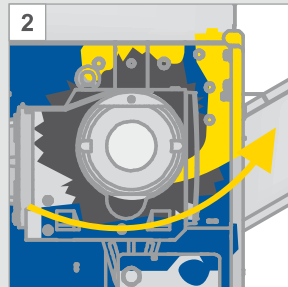
PET bottles

Cardboard packaging

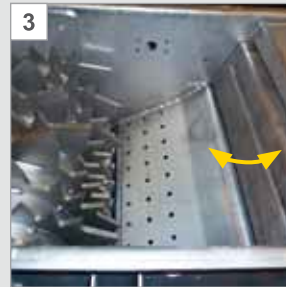
Efficient and automatic emptying – time-consuming manual emptying is over!



1 Loading
Manual or automatic
Loading of the machine.



2 Functional principle
The loaded bundles are perforated and squeezed by one slowly turning rotor.



3 Rotor & Pendulum plate
No bridging of the material due to the pendulum plate.



4 Output
Emptied material is pushed out by the material that follows.



5 Funnel
The funnel is used as a collecting hopper for large quantities of material.



6 Conveyor
Filled liquid containers are conveyed automatically from the funnel via the conveyor to the machine.



7 Separation of liquids
Removement of liquids through a coarse filter box.



8 The result
The material has been emptied and pre-compacted.